

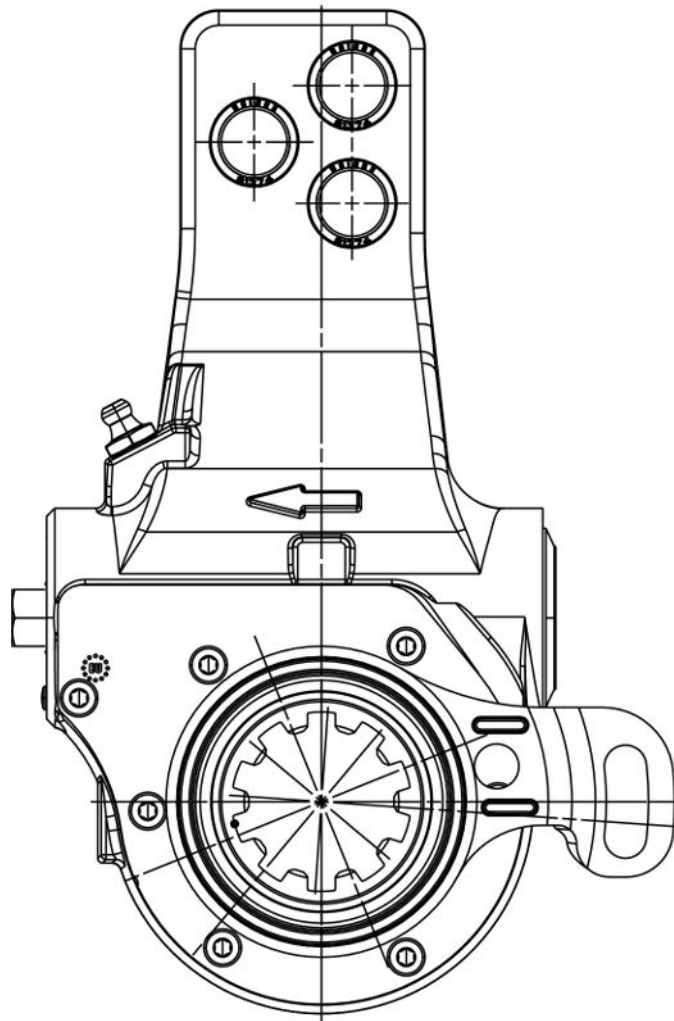


www.sauer-qualityparts.com

SLACK ADJUSTERS

Truck and Trailer Parts





All our SAUER QUALITY PARTS automatic slack adjusters are equipped with a self-adjusting mechanism.

These types offer an easy installation and guarantee a longer life with low wear.

Slack adjusters

Part No. ①	Ref. No. OEM ②	Application	LH / RH	Ref. No. Haldex ②
S1750001000	0517482212 0517482213 0517482220 0517482222 0517482223 0517482493 0557482021 0557482121 0557482190 0557482220 0557482430 0557482432 0557482433 0557482552 0557482553 0557482763 10613835	BPW BPW BPW BPW BPW BPW BPW BPW BPW BPW BPW BPW BPW BPW BPW BPW BPW BPW Van Hool	LH / RH	80019 72876 72875 79327
S1750003000	1325313 1325313A 1325313R 21222694 21223694 21229249	DAF DAF DAF Meritor/ROR Meritor/ROR Meritor/ROR	LH / RH	80020 72788
S1750004000	03434350203 03434350202 03434350201 03434350204 04175008500 04175008501 04175015401 04175022800 04175024000 04175024900 04175031400 04175037400	SAF	LH / RH	80022 79005
S1750005000	M002416 M023565	SMB Fruehauf	LH / RH	80023 72274 79630
S1750016000	4731113 6310215 A3874200338 A6174200338 A6194200738 A6554200038 A9424200238 A9424200438 A9454200238 B1006	DAF DAF Mercedes Benz Mercedes Benz Mercedes Benz Mercedes Benz Mercedes Benz Mercedes Benz Mercedes Benz Mercedes Benz Renault	LH	80000

① See page 3

② These original part numbers are only for comparison purposes and identification.

Slack adjusters

Part No. ①	Ref. No. OEM ②	Application	LH / RH	Ref. No. Haldex ②
S1750016100	4731121 944001169 A3874200238 A6174200438 A6194200638 A6554200138 A9424200338 A9424200538 A9424290338 A9454200338 B1007	DAF DAF Mercedes Benz Mercedes Benz Mercedes Benz Mercedes Benz Mercedes Benz Mercedes Benz Mercedes Benz Mercedes Benz Renault	RH	80001
S1750017000	A6194200038 A6194200238 A6234201238 A6234201438 A6524200038 A6584200238 A9424200038 A9424200938 A9424201238 A9454200038 4731295	Mercedes Benz Mercedes Benz Mercedes Benz Mercedes Benz Mercedes Benz Mercedes Benz Mercedes Benz Mercedes Benz Mercedes Benz Mercedes Benz Volvo	LH	80008C 72062
S1750017100	A9454200138 A9424201338 A9424200838 A6524200138 A6194200138 A6584200338 A6234201338 A6194200338 A6234201538 A9424200138 A6584200138	Mercedes Benz	RH	80009C 72594
S1750018000	A9454200438	Mercedes Benz	RH	80014
S1750018100	A9454200938	Mercedes Benz	LH	80030
S1750019000	A3574200538 A0002200071	Mercedes Benz	LH / RH	72059
S1750020000	81506106263 81506106253	MAN	LH	80176 80084
S1750020100	81506106266 81506106258	MAN	RH	80183 80086
S1750021000	81506106261 81506106251	MAN	LH	80180 80092

① See page 3

② These original part numbers are only for comparison purposes and identification.

Slack adjusters

Part No. ①	Ref. No. OEM ②	Application	LH / RH	Ref. No. Haldex ②
S1750021100	81506106262 81506106252	MAN	RH	80181 80093
S1750022000	81506106211 81506106165 81506106235 81506109211	MAN	LH	79208 72303 72968
S1750022100	81506106210 81506106166 81506106234 81998033226	MAN	RH	79209 72304 72969
S1750023000	81506106231 81506106081 81506106151 81506106057 81506106066 81506109231	MAN	LH / RH	79212 72972
S1750024000	81506106212 81506106154 81506106084 81506106048 81506106058 81506107154	MAN	RH	79211
S1750024100	81506106213 81506106153 81506106083 81506106049 81506106059	MAN	LH	79210
S1750025000	278737 394181 1112833 1789561 1865748 2009819	Scania	LH	79877 72660
S1750025100	278738 394182 1112834 1789562 1865747 2009820	Scania	RH	79878 72661
S1750026000	1358634 1789567	Scania	RH	79442
S1750026100	1358635 1789568	Scania	LH	79443

① See page 3

② These original part numbers are only for comparison purposes and identification.

Slack adjusters

Part No. ①	Ref. No. OEM ②	Application	LH / RH	Ref. No. Haldex ②
S1750029000	755616 755616R 755616A	DAF	LH	72704
S1750029100	755617 755617R 755617A	DAF	RH	72705
S1750030000	5010260117	Renault	LH	79310 79077
S1750030100	5010260118	Renault	RH	79311 79078
S1750033000	0557482873 0557483013 0517482633 0517482673 0517483173	BPW	LH / RH	80530
S1750034000	04175032700	SAF	LH	80303
S1750034100	04175032800	SAF	RH	80302
S1750035000	04175032500	SAF	LH	80293
S1750035100	04175032600	SAF	RH	80294
S1750036000	81506106264 81506106256	MAN	RH	80177
S1750037000	81506106255 81506106259	MAN	LH	80178
S1750038000	81506106254 81506106260	MAN	RH	80179

① See page 3

② These original part numbers are only for comparison purposes and identification.

Provided by

FAIR

- The right price for the right part – everywhere and at any time!

PROVEN

- After all these years on the road your vehicle still deserves tested components for a long life time – your truck and trailer will thank you by performing from every day!

RELIABLE

- It is not only that we offer reliable quality parts in one of the most demanding markets and that our parts keep your business moving – we are a partner you can depend on!